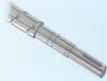




**KROGLJIČNA NAVOJNA VRETENA IN MATICE**  
**BALL SCREWS AND NUTS**  
4.005.0



**STANDARDNE OBDELAVE**  
**STANDARD END MACHINING**  
4.020.0



**LEŽAJNE PODPORE**  
**SUPPORT UNITS**  
4.030.0



**TRAPEZNA NAVOJNA VRETENA IN MATICE**  
**TRAPEZODIAL SCREWS AND NUTS**  
4.050.0

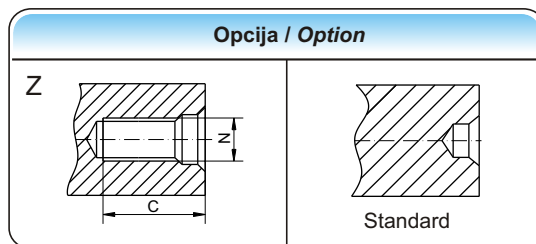
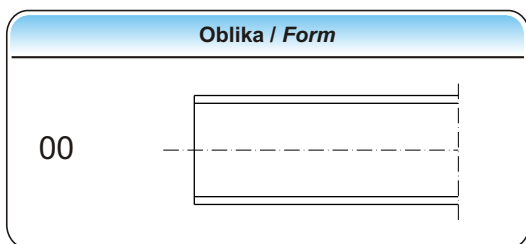


**SKLOPKE**  
**COUPLINGS**  
4.105.0



**MEHASTE SKLOPKE**  
**SERVO BELLOW COUPLINGS**  
4.110.0

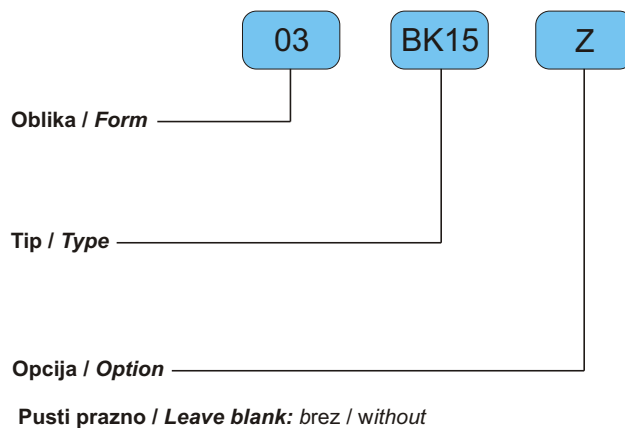
**BREZ OBDELAV - RAZREZ NA MERO / WITHOUT MACHINING - CUT TO SIZE**



DIMENZIJE / DIMENSIONS (mm)		
d	N	c
16	-	-
20	M5	12
25	M6	16
32	M6	16
40	M10	22

Ponujamo strojno obdelavo končnikov in ravnanje vreten po individualnih risbah kupcev.  
*We offer end machining and straightening of screws according to an individual customer's drawing.*

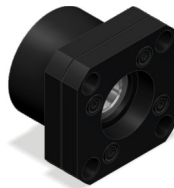
**PRIMER NAROČANJA / HOW TO ORDER**



**NEPREMIČNE PODPORE VRETEN / FIXED-SIDE SUPPORT UNITS**



TIP BK / TYPE BK



TIP FK / TYPE FK



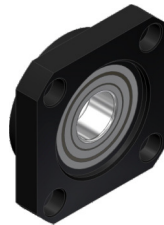
TIP EK / TYPE EK

DIMENZIJE DIMENSIONS	TIP PODPORE SUPPORT UNITS TYPE	RAZRED NATANČNOSTI VRETENA BALLSCREW ACCURACY GRADE	MAX. ZAČETNI NAVOR MAX. STARTING TORQUE (Ncm)	AXSIALNA DINAMIČNA OBREMNITEV AXIAL DYNAMIC LOAD (kN)	RADIALNA DINAMIČNA OBREMNITEV RADIAL DYNAMIC LOAD (kN)	LEŽAJ BEARING	VRETENO BALLSCREW (mm)
ø6	EK06_C7	C7	NO PRELOAD			706 DFA	8
ø8	EK08_C7	C7	NO PRELOAD			708 DFA	10
ø10	FK10_C7 / FK10_C5	C7 C5	NO PRELOAD 1,9	6,7	2,78	7000 DFA	12
	BK10_C7 / BK10_C5	C7 C5	NO PRELOAD 1,9	6,7	2,78	7000 DFA	
ø12	FK12_C7 / FK12_C5	C7 C5	NO PRELOAD 2,1	7,25	3,1	7001 DFA	16
	BK12_C7 / BK12_C5	C7 C5	NO PRELOAD 2,1	7,25	3,1	7001 DFA	
ø15	FK15_C7 / FK15_C5	C7 C5	NO PRELOAD 2,3	7,75	4,07	7002 DFA	20
	BK15_C7 / BK15_C5	C7 C5	NO PRELOAD 2,3	7,75	4,07	7002 DFA	
ø17	FK17_C7 / FK17_C5	C7 C5	NO PRELOAD 3,7	14	5,95	7203 DFA	25
	BK17_C7 / BK17_C5	C7 C5	NO PRELOAD 3,7	14	5,95	7203 DFA	
ø20	FK20_C7 / FK20_C5	C7 C5	NO PRELOAD 5,5	18,3	9,7	7204 DFA	25/32
	BK20_C7 / BK20_C5	C7 C5	NO PRELOAD 5,5	18,3	9,7	7204 DFA	
ø25	FK25_C7 / FK25_C5	C7 C5	NO PRELOAD 7,3	20,6	11,7	7205 DFA	32
	BK25_C7 / BK25_C5	C7 C5	NO PRELOAD 7,3	20,6	11,7	7205 DFA	
ø30	FK30_C7 / FK30_C5	C7 C5	NO PRELOAD 10,5	28,6	16,6	7206 DFA	40
	BK30_C7 / BK30_C5	C7 C5	NO PRELOAD 10,5	28,6	16,6	7206 DFA	

**PREMIČNE PODPORE VRETEN / SUPPORTED-SIDE SUPPORTS UNITS**



TIP BF / TYPE



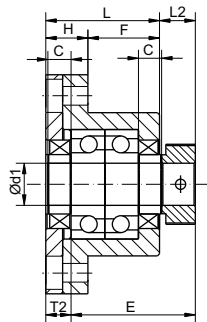
TIP FF / TYPE



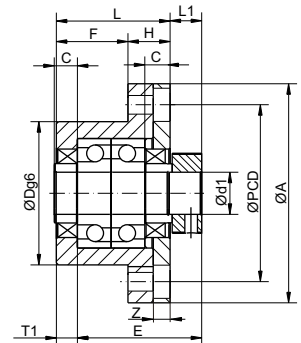
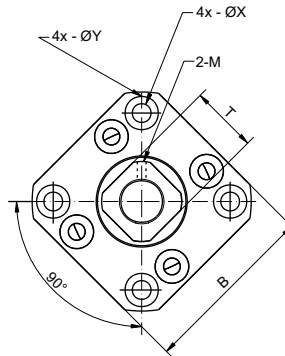
TIP EF / TYPE

DIMENZIJE DIMENSIONS	TIP PODPORE SUPPORT UNITS TYPE	RAZRED NATANČNOSTI VRETENA BALLSCREW ACCURACY GRADE	AXSIALNA DINAMIČNA OBREMNITEV AXIAL DYNAMIC LOAD (kN)	RADIALNA DINAMIČNA OBREMNITEV RADIAL DYNAMIC LOAD (kN)	LEŽAJ BEARING	VRETENO BALLSCREW (mm)
ø6	EF6_C7	C7	/	2,31	606 ZZ	8
	EF8_C7	C7	/	2,31	606 ZZ	
ø8	FF10_C7 / FF10_C3	C7 C3 C5	/	3,35	608 ZZ	10/12
	BF10_C7 / BF10_C3	C7 C3 C5	/	3,35	608 ZZ	
ø10	FF12_C7 / FF12_C3	C7 C3 C5	/	4,65	6000 ZZ	16
	BF12_C7 / BF12_C3	C7 C3 C5	/	4,65	6000 ZZ	
ø15	FF15_C7 / FF15_C3	C7 C3 C5	/	5,7	6002 ZZ	20
	BF15_C7 / BF15_C3	C7 C3 C5	/	5,7	6002 ZZ	
ø17	FF17_C7 / FF15_C3	C7 C3 C5	/	9,75	6203 ZZ	25
	BF17_C7 / BF17_C3	C7 C3 C5	/	9,75	6203 ZZ	
ø20	FF20_C7 / FF20_C3	C7 C3 C5	/	13	6204 ZZ	25/32
	BF20_C7 / BF20_C3	C7 C3 C5	/	9,55	6004 ZZ	
ø25	FF25_C7 / FF25_C3	C7 C3 C5	/	14,3	6205 ZZ	32
	BF25_C7 / BF25_C3	C7 C3 C5	/	14,3	6205 ZZ	
ø30	FF30_C7 / FF30_C3	C7 C3 C5	/	19,8	6206 ZZ	40
	BF30_C7 / BF30_C3	C7 C3 C5	/	19,8	6206 ZZ	

**NEPREMIČNA PODPORA, TIP OKROGLI FK / FIXED-SIDE, ROUND TYPE FK**



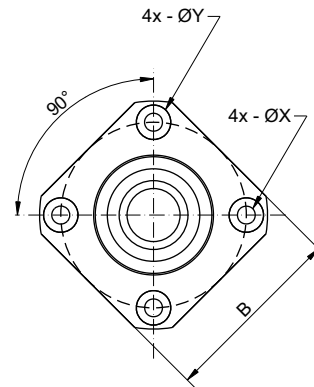
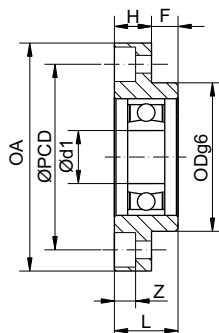
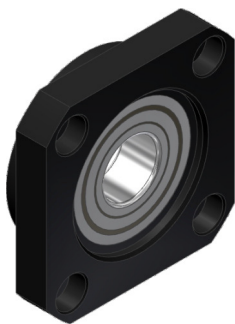
NAČIN MONTAŽE - B  
MOUNTING METHOD - B



NAČIN MONTAŽE - A  
MOUNTING METHOD - A

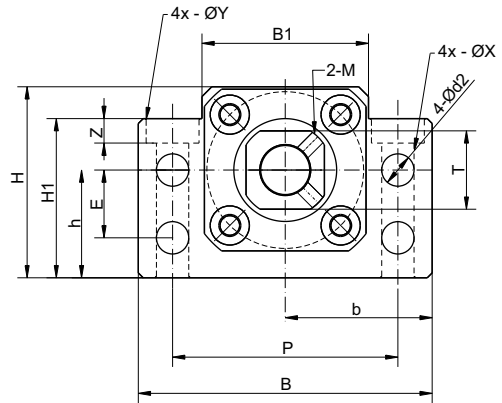
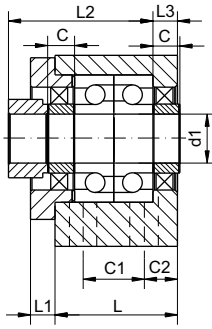
TIP TYPE	DIMENZIJE / DIMENSIONS (mm)																			Teža (kg) Weight (kg)
	d1	L	H	F	E	Dg6	A	PCD	B	L1	T1	L2	T2	X	Y	Z	M	T	C	
FK 10	10	27	10	17	29,5	34 <sup>-0,009</sup> <sub>-0,025</sub>	52	42	42	7,5	5	8,5	6	4,5	8	4	M3	16	5,5	0,25
FK 12	12	27	10	17	29,5	36 <sup>-0,009</sup> <sub>-0,025</sub>	54	44	44	7,5	5	8,5	6	4,5	8	4	M4	19	5,5	0,26
FK 15	15	32	15	17	36	40 <sup>-0,009</sup> <sub>-0,025</sub>	63	50	52	10	6	12	8	5,5	9,5	6	M4	22	10	0,40
FK 17	17	45	22	23	47	50 <sup>-0,009</sup> <sub>-0,025</sub>	77	62	61	11	9	14	12	6,6	11	10	M4	24	10	0,85
FK 20	20	52	22	30	50	57 <sup>-0,010</sup> <sub>-0,029</sub>	85	70	68	8	10	12	14	6,6	11	10	M4	30	11	1,20
FK 25	25	57	27	30	59	63 <sup>-0,010</sup> <sub>-0,029</sub>	98	80	79	13	10	20	17	9	15	13	M5	35	15	1,60
FK 30	30	62	30	32	61	75 <sup>-0,010</sup> <sub>-0,029</sub>	117	95	93	11	12	17	18	11	17,5	15	M6	40	9	2,38

**PREMIČNA PODPORA, TIP OKROGLI FF / SUPPORTED-SIDE, ROUND TYPE FF**



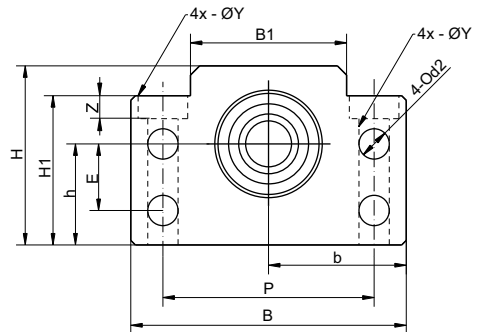
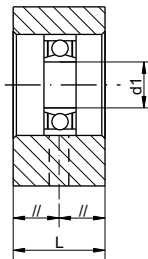
TIP TYPE	DIMENZIJE / DIMENSIONS (mm)												Teža (kg) Weight (kg)
	d1	L	H	F	Dg6	A	PCD	B	X	Y	Z		
FF 10	8	12	7	5	28 <sup>-0,007</sup> <sub>-0,020</sub>	43	35	35	3,4	6,5	4	0,10	
FF 12	10	15	7	8	34 <sup>-0,007</sup> <sub>-0,020</sub>	52	42	42	4,5	8	4	0,15	
FF 15	15	17	9	8	40 <sup>-0,009</sup> <sub>-0,025</sub>	63	50	52	5,5	9,5	5,5	0,22	
FF 17	17	20	11	9	50 <sup>-0,009</sup> <sub>-0,025</sub>	77	62	61	6,6	11	6,5	0,35	
FF 20	20	20	11	9	57 <sup>-0,010</sup> <sub>-0,029</sub>	85	70	68	6,6	11	6,5	0,45	
FF 25	25	24	14	10	63 <sup>-0,010</sup> <sub>-0,029</sub>	98	80	79	9	14	8,5	0,66	
FF 30	30	27	18	9	75 <sup>-0,010</sup> <sub>-0,029</sub>	117	95	93	11	17	11	1,05	

**NEPREMIČNA PODPORA, TIP PRAVOKOTNI BK / FIXED-SIDE, RECTANGULAR TYPE BK**



TIP TYPE	DIMENZIJE / DIMENSIONS (mm)																				Teža (kg) Weight (kg)		
	d1	L	L1	L2	L3	C1	C2	B	H	b (±0.02)	h (±0.02)	B1	H1	E	P	d2	X	Y	Z	M		T	C
BK 10	10	25	5	29.5	5	13	6	60	39	30	22	34	32.5	15	46	5.5	6.6	10.8	5	M3	16	5.5	0.40
BK 12	12	25	5	29.5	5	13	6	60	43	30	25	34	32.5	18	46	5.5	6.6	10.8	1.5	M4	19	5.5	0.45
BK 15	15	27	6	32	6	15	6	70	48	35	28	40	38	18	54	5.5	6.6	11	6.5	M4	22	6	0.60
BK 17	17	35	9	44	7	19	8	86	64	43	39	50	55	28	68	6.6	9	14	8.5	M4	24	7	1.30
BK 20	20	35	8	43	8	19	8	88	60	44	34	52	50	22	70	6.6	9	14	8.5	M4	30	8	1.30
BK 25	25	42	12	54	9	22	10	106	80	53	48	64	70	33	85	9	11	17	11	M5	35	9	2.40
BK 30	30	45	14	61	9	23	11	128	89	64	51	76	78	33	102	11	14	20	13	M6	40	9	3.40

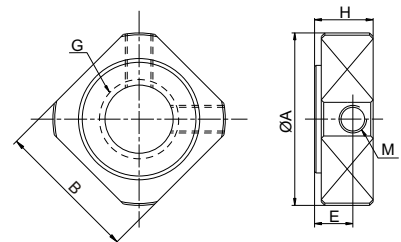
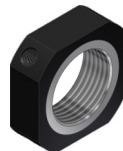
**PREMIČNA PODPORA, TIP PRAVOKOTNI BF / SUPPORTED-SIDE, RECTANGULAR TYPE BF**



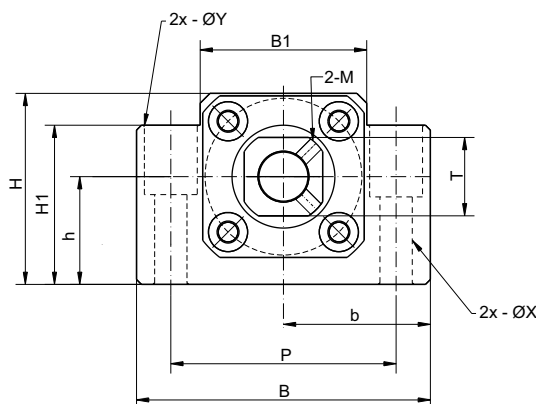
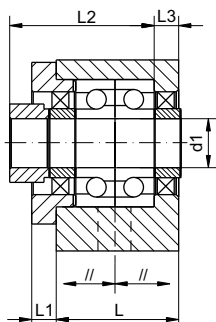
TIP TYPE	DIMENZIJE / DIMENSIONS (mm)													Teža (kg) Weight (kg)	
	d1	L	B	H	b (±0.02)	h (±0.02)	B1	H1	E	P	d2	X	Y		Z
BF 10	8	20	60	39	30	22	34	32.5	15	46	5.5	6.6	10.8	5	0.30
BF 12	10	20	60	43	30	25	34	33.5	18	46	5.5	6.6	10.8	1.5	0.35
BF 15	15	20	70	48	35	28	40	38	18	54	5.5	6.6	11	6.5	0.40
BF 17	17	23	86	64	43	39	50	55	28	68	6.6	9	14	8.5	0.75
BF 20	20	26	88	60	44	34	52	50	22	70	6.6	9	14	8.5	0.77
BF 25	25	30	106	80	53	48	64	70	33	85	9	11	17	11	1.45
BF 30	30	32	128	89	64	51	76	78	33	102	11	14	20	13	1.95

**NATANČNE ZAKLEPNE MATICE / PRECISION LOCKNUT**

TIP TYPE	DIMENZIJE / DIMENSIONS (mm)					Axialload (N)	Moment Torque (Nm)	Teža Weight (G)
	A	H	B	E	M			
M10x1	19	9	16	5.5	M3x0.5	220	4	8
M12x1	22	8.2	19	5.1	M4x0.7	126	4	14
M15x1	25	9	22	4.5	M4x0.7	330	4	16
M17x1	29	14	24	9	M4x0.7	490	7	24
M20x1	35	12	30	7	M5x0.8	550	7	34
M25x1.5	43	16	35	10	M5x0.8	870	7	54
M30x1.5	48	21	40	14	M6x1.0	1100	7	76

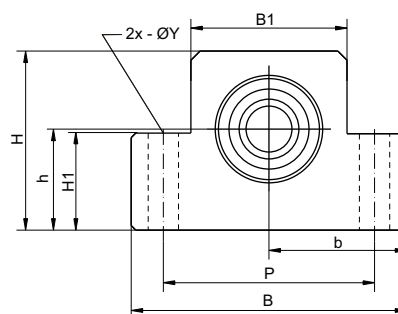
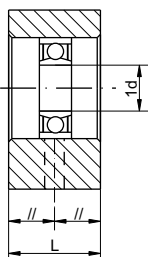


**NEPREMIČNA PODPORA, TIP PRAVOKOTNI EK / FIXED-SIDE, RECTANGULAR TYPE EK**



TIP TYPE	DIMENZIJE / DIMENSIONS (mm)																	Teža (kg) Weight (kg)
	d1	L	L1	L2	L3	H	B	b (±0,02)	h (±0,02)	B1	H1	P	X	Y	Z	M	T	
EK 06	6	20	5,5	22	3,5	25	42	21	13	18	20	30	5,5	9,5	11	M3	12	0,18
EK 08	8	23	7	26	4	32	52	26	17	25	26	38	6,6	11	12	M3	14	0,27

**PREMIČNA PODPORA, TIP PRAVOKOTNI EF / SUPPORTED-SIDE, RECTANGULAR TYPE EF**



TIP TYPE	DIMENZIJE / DIMENSIONS (mm)												Teža (kg) Weight (kg)
	d1	L	B	H	b (±0,02)	h (±0,02)	B1	H1	P	X	Y	Z	
EF 06	6	12	42	25	21	13	18	20	30	5,5	9,5	11	0,16
EF 08	6	14	52	32	26	17	25	26	38	6,6	11	12	0,35