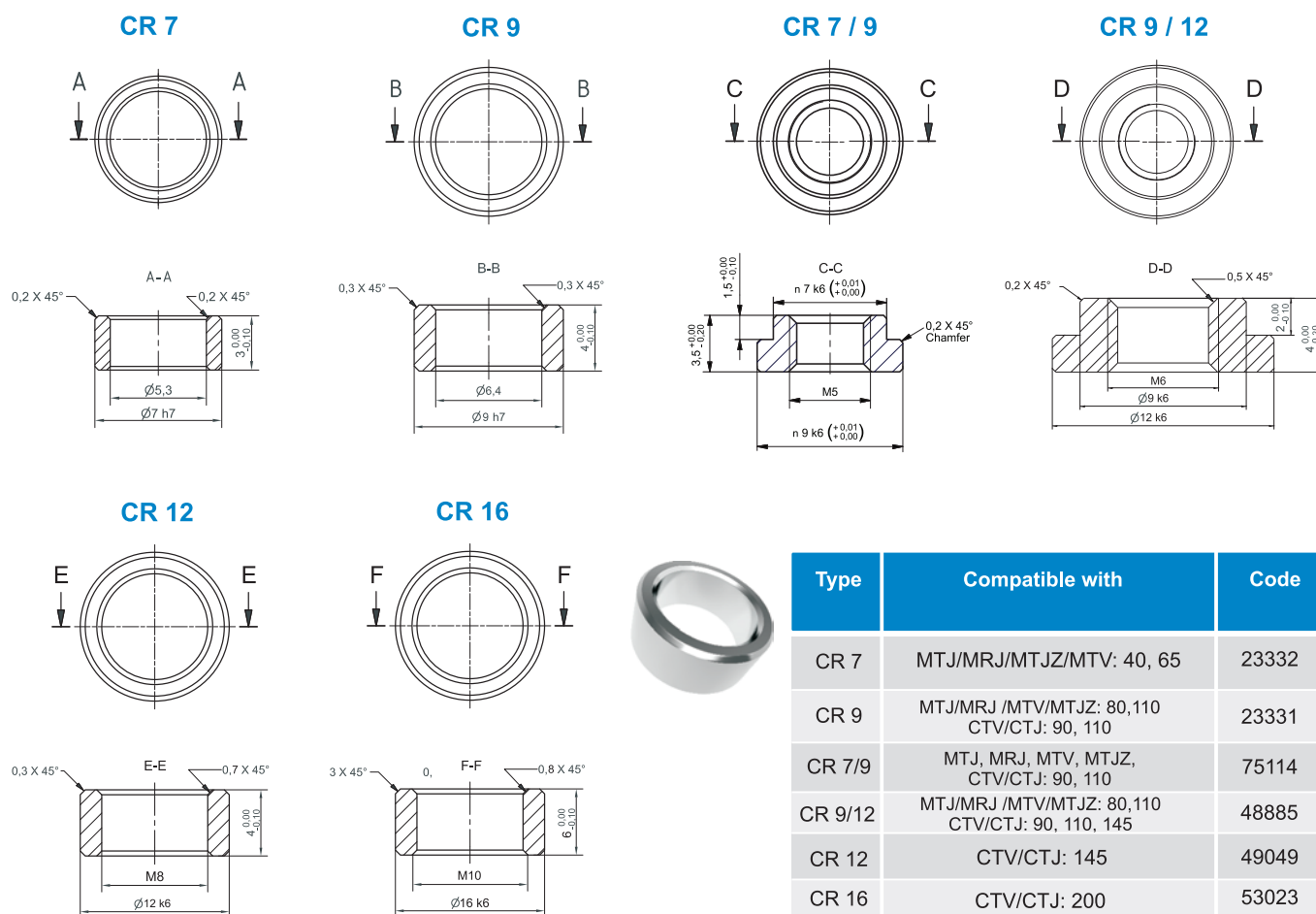


## CENTERING RINGS



## SLOT NUTS



DIN562



DIN557



Slot Nut

\* - deviating CODE

### LINEAR UNITS - PROFILE

CODE	NUT TYPE	MTJ/MRJ 40	MTJ/MRJ/ MTV/MTJZ 65	MTJ/MRJ/ MTV/MTJZ 80	MTJ/MRJ/MTV MTJZ 110	MTJ 40 ECO	CTV 90 CTJ 90	CTV 110 CTJ 110	CTV 145 CTJ 145	CTV 200 CTJ 200
41609	DIN562 - M2,5						X	X	X	
40682	DIN562 - M4	X - *57017	X	X			X			X
40768	DIN562 - M5							X	X	
40769	DIN557 - M5		X	X						
44451	DIN557 - M8				X					X
5746	Slot Nut M6					X				
5551	Slot Nut T-10-M8									X
5552	Slot Nut T-10-M6									X
5553	Slot Nut T-10-M5									X
5570	Slot N. T-10-M8 L=90									X

### LINEAR UNITS - CONNECTION PLATES

CODE	NUT TYPE	CTV 200 CTJ 200	CODE	NUT TYPE	CTV 145 CTJ 145	CODE	NUT TYPE	CTV 110 CTJ 110	CTV 90 CTJ 90
5551	Slot Nut T-10-M8	X	5704	Slot Nut 8LM4	X	48887	Slot Nut 6LM4	X	X
5552	Slot Nut T-10-M6	X	5703	Slot Nut 8LM5	X	48888	Slot Nut 6LM5	X	X
5553	Slot Nut T-10-M5	X	5702	Slot Nut 8LM6	X				
5570	Slot Nut T-10-M8 L=90	X	5701	Slot Nut 8LM8	X				