

2/2 SEDEŽNI VENTIL, NERJAVNO JEKLO / 2/2 PISTON VALVE, STAINLESS STEEL
NORMALNO ZAPRT - BD **NORMALLY CLOSED - BD (BIDIRECTIONAL)**

OPIS / DESCRIPTION:

- 2/2 normalno zaprt sedežni ventil s smerjo pretoka v obe smeri (čez sedež in pod Sedežem), ustrezen za vodo, paro, olje, zrak in za vrste plinov.
 2/2 way normally closed piston valve for both flow directions (over seat and under seat), For use on water, steam, oil, air, gas applications.

SESTAVA IN MATERIALI / CONSTRUCTION:

- Ohišje ventila / Valve body..... AISI 316L / cast AISI 316L
- Ohišje vretena / Bonnet material..... AISI 316L / cast AISI 316L
- Ohišje cilindra / Actuator body..... Poliamid PA6 ojačan s steklenimi vlakni 30%
 Polyamide PA6 reinforced fiberglass 30%
- Glavno tesnilo / Main seal material..... PTFE TFM 1600
- Indikator pozicije (odprt-zaprt) / Position indicator (open-closed)

KARAKTERISTIKE / FEATURES:

- Medij / Media: voda, olje, zrak, para, agresivni mediji / Water, oil, air, steam, aggressive media
- Temperatura medija / Media temperature..... -10°C / +180°C
- Temperatura okolice / Ambient temperature..... -10°C / +60°C
- Krmilni medij / Pilot media..... zrak, nevtralni plini, voda / air, inert gases, water
- Smer pretoka / Flow direction..... 1↔2, v obe smeri / bidirectional

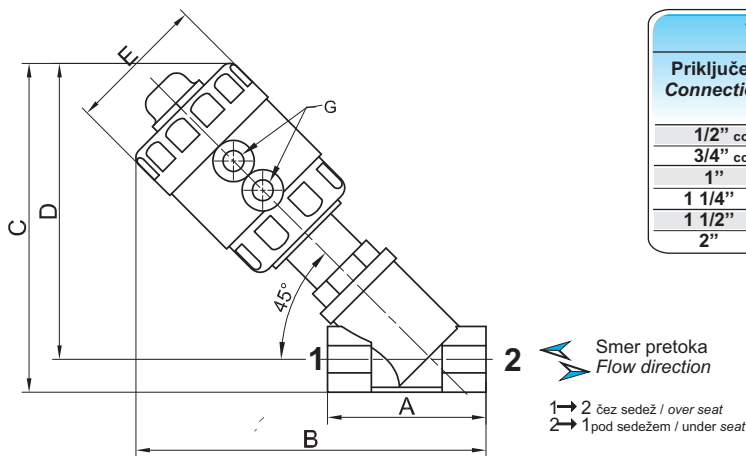
PREDNOSTI / BENEFITS:

- Preprečuje tlačne udare medija v smeri pretoka 2→1 / Waterhammer-free design
- Vrtljivo ohišje pogona za 360° / Actuator housing rotation 360°
- Izvedba ustreza za vakumske aplikacije do 10⁻² mbar
 Design suitable for vacuum applications up to 10⁻² mbar



Prikluček G Connection G	Premer Diameter DN (mm)	Pretok Flow rate Kv (l/min)	Delovni tlak (1) Working pressure (bar)		Smer pretoka Flow direction (2↔1)	Krmilni tlak * Pilot pressure (bar)		Cilinder Actuator Ø (mm)
			Min	Max		Min	Max	
1/2" compact	15	75	0	16 / 16	1→2 / 2→1	6,2 / 5	10	45
3/4" compact	20	133	0	16 / 7	1→2 / 2→1	8,7 / 5	10	45
1"	25	260	0	16 / 11	1→2 / 2→1	6,5 / 3,8	10	63
1 1/4"	32	410	0	16 / 6	1→2 / 2→1	6,8 / 3,8	10	63
1 1/2"	40	700	0	16 / 8	1→2 / 2→1	6 / 3,3	8	90
2"	50	950	0	14 / 6	1→2 / 2→1	8 / 3,3	8	90

* Minimalni krmilni tlak pri maksimalnem delovnem tlaku / Minimum pilot pressure at maximum working pressure
 (1) Para: Max. delovni tlak 10bar / Steam: Max. working pressure 10bar



VGRADNE MERE / DIMENSIONS								
Prikluček G Connection G	Cilinder Actuator Ø (mm)	A (mm)	B (mm)	C (mm)	D (mm)	E (mm)	G (mm)	Teža Weight (mm)
1/2" compact	45	65	144	136	123	57	1/8"	0.8
3/4" compact	45	75	155	142	126	57	1/8"	0.9
1"	63	90	212	205	185	85	1/4"	1.5
1 1/4"	63	110	225	217	193	85	1/4"	1.9
1 1/2"	90	120	239	235	207	112	1/4"	2.6
2"	90	150	257	250	216	112	1/4"	3.3

**PRIMER NAROČANJA:
HOW TO ORDER:**

ASV/SS- [] - [] - NC/BD - [] - [] - [] - []

OPCIJE / OPTIONS

Tip / Type:
Cilinder / Actuator Ø:
Prikluček / Connection G:

Opcija 4* / Option 4*: (glej stran / see page 1.630.0)
 -M...Ročni preklop / Manual override

Opcija 3* / Option 3*: (glej stran / see page 1.630.0)
 -R...Nastavljiv hod cilindra / Stroke regulator

Opcija 2* / Option 2*: (glej stran / see page 1.630.0)
 -KS...Pozicijsko stikalo ON/OFF / Travel switch

Opcija 1 / Option 1**:**
 -V...Izvedba za vakumske aplikacije do 10² mbar
 Version for vacuum applications up to 10² mbar

*za verzije compact ni na voljo / not available for compact version
 ** standardno za verzije compact / standard for compact version

