

**LOPUTNI NEPOVRATNI VENTIL Serija GS011,GS015/SWING CHECK VALVE Serie GS011,GS015**

**IZVEDBA / FEATURE:**

- model loputnega nepovratnega ventila za horizontalno ali vertikalno medprirobnično vgradnjo
- majhne dimenzije in teže
- enostavna montaža med prirobnice brez dodatnih tesnil
- typ of butterfly swing check valve for horizontal or vertikal installation between flanges*
- Little dimensions and low weight*
- Easy mounting between flanges without any packing*

**TEMPERATURA / TEMPERATURE:**

NBR - 95°C, EPDM - 140°C, PTFE, VITON - 180°C

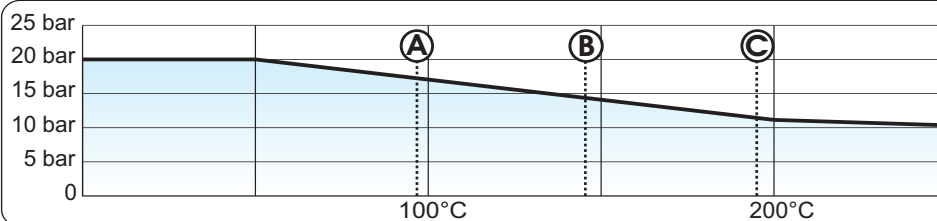
**DELOVNI TLAK / WORKING PRESSURE**

PN6, PN10, PN16

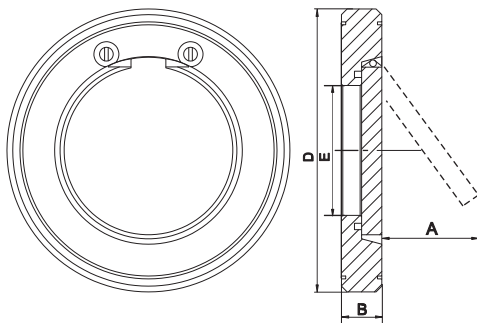
**GS011, GS015**



DN	40	50	65	80	100	125	150	200	250	300	350	400	450	500
PN ( bar )	6/10/16	6/10/16	6/10/16	6/10/16	6/10/16	6/10/16	6/10/16	6/10/16	6/10/16	6/10/16	6/10/16	6/10/16	6/10/16	6/10/16
A	30	35	48	60	78	98	117	160	200	235	258	300	331	368
D (PN 6)	88	98	118	134	154	184	209	264	319	375	425	475	530	580
(PN 10)	95	109	128	145	164	195	221	275	330	380	440	490	540	595
(PN 16)	95	109	128	145	164	195	221	275	330	387	447	495	557	619
B	14	14	14	14	18	18	20	22	26	32	38	44	50	56
E	22	32	40	54	70	92	112	154	200	240	270	310	360	405

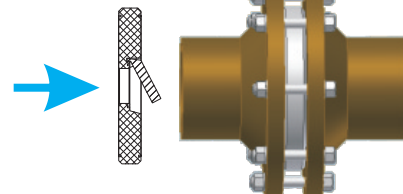


- A** NBR Sedež/Seat-Tmax=95°C
- B** EPDM Sedež/Seat-Tmax=140°C
- C** FKM Sedež/Seat-Tmax=180°C

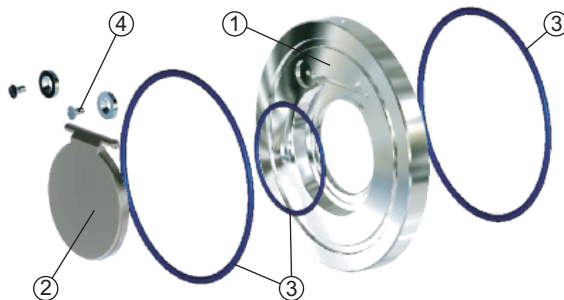
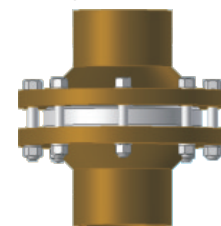


**MOŽNOSTI VGRADNJE  
INSTALLATION OPTIONS**

horizontalna smer pretoka  
horizontal flow



vertikalna smer pretoka  
upwards flow



NO.	DEL / PART	GS011	GS015
1	Telo / Body	Cinkano jeklo / Zinc plated steel	AISI316
2	Pladenj / Disc	AISI316 (DN40-200)	AISI316
		Cinkano jeklo / Zinc plated steel (DN250-500)	
3	O-Ring	NBR, EPDM	NBR, EPDM, FKM, PTFE
4	Vijaki / screws	AISI316	AISI316

**PRIMER NAROČANJA / HOW TO ORDER:**

**GS- [ ] - DN- [ ] - [ ] - [ ]**

Tip ventila / Valve Type:

- 011
- 015

Material tesnila / Seal material:

- NBR, EPDM ( za tip / for Type GS 011 )
- NBR, EPDM, VITON, PTFE ( za tip / for Type GS 015 )

Velikost / Size:

- DN ( nazivni premer - iz zgornje tabele )  
( nominal diameter from upper table )

Tlak PN / Pressure PN:

- 6
- 10
- 16

