

LOPUTNI VENTIL BVKI / BUTTERFLY VALVE BVKI

IZVEDBA / FEATURE:

-model loputnega ventila za medprirobnično vgradnjo
typ of butterfly valve for assembly between the flanges

TEMPERATURA / TEMPERATURE:

- od -60°C do +200°C (odvisno od tipa tesnila / *depend on typ of seal*)

TLAK / PRESSURE:

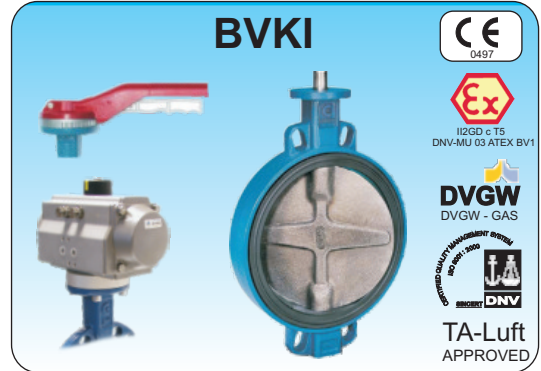
- PN10 / PN 16

UPORABA / USAGE:

-voda, olje, zrak, naftni derivati, razredčene kisline, abrazivni mediji, vakuum
water, oil, air, oil derivates, diluted acids, abrazive media, vacuum

OPCIJA / OPTION:

- ventil za max. tlak 20 bar (BVKA) - po naročilu **CE**
valve for max. pressure 20 bar (BVKA) - special order
- ventil za max. tlak 25 bar (BVKX) - po naročilu **CE**
valve for max. pressure 25 bar (BVKX) - special order

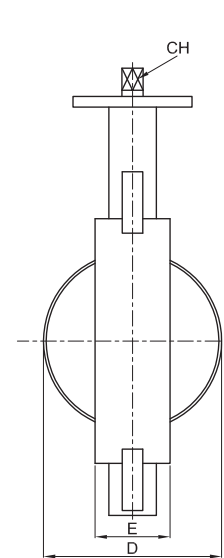
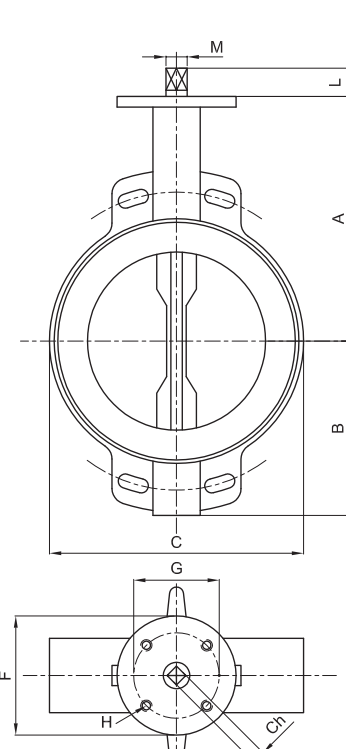
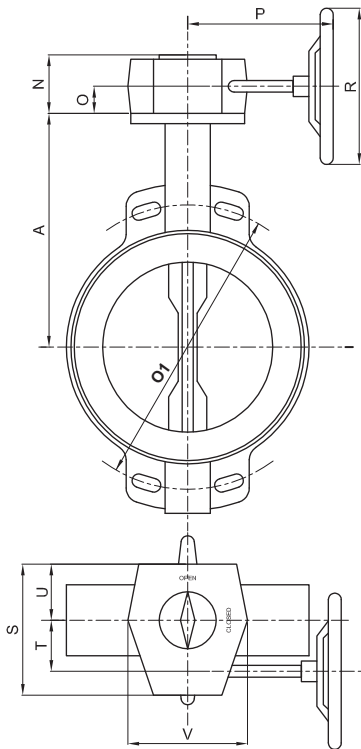


DN	40	50	65	80	100	125	150	200	250	300	350	400	450	500	600	700	800
PN (bar)	10/16	10/16	10/16	10/16	10/16	10/16	10/16	10/16	10/16	10/16	10/16	10/16	10/16	10/16	10/16	10/16	10/16
A	130	138	148	158	173	186	202	240	270	300	330	355	400	422	495	550	640
B	75	81	89	110	128	140	155	190	220	247	280	305	343	366	460	506	590
C	84	102	116	133	160	190	214	265	320	373	425	490	535	590	692	804	905
D	49	55	68	81	101	126	150	200	250	298	341	390	444	495	595	690	780
E	33	43	46	46	52	56	56	60	68	78	78	102	114	127	154	165	190
F	90	90	90	90	90	90	90	125	125	125	150	150	175	210	210	300	300
G	70	70	70	70	70	70	70	102	102	102	125	125	140	165	165	254	254
H	9	9	9	9	9	9	9	11	11	11	14	14	18	22	22	18	18
L	34	34	34	34	34	34	34	38	38	38	60	60	60	60	75	90	100
Ch	11	11	11	11	11	14	14	17	22	22	/	/	/	/	/	/	/
M	14	14	14	14	16	18	18	22	30	30	35	40	45	45	60	70	80
N	55	55	55	55	55	55	55	60	60	60	69	80	80/93,5	93,5	105,5/126,5	126,5/128	128
O	27	27	27	27	27	27	27	29	29	29	33	38	38/50	50	50	50/66	66
P	140	140	140	140	140	140	140	180	205	205	240	300	300/245	245	335/360	360/430	430
R	125	125	125	125	125	125	125	200	200	200	250	300	300/350	350	400/500	500/600	600
S	107	107	107	107	107	107	107	132	150	150	190	175	175/220	220	295/330	330/350	350
T	39	39	39	39	39	39	39	47	60	60	76	66,7	66,7/89,56	89,5	123/154	154/137,8	137/8
U	46	46	46	46	46	46	46	56	62	62	79	65,5	65,5/86	86	114/117	117/155	155
V	96	96	96	96	96	96	96	122	137	137	175	165	165/198	198	252/315	315/310	310

O1 PN 10 - 16 - ANSI 150

LOPUTA (ROČNI, POLŽNI POGON)
BUTTERFLY VALVE (GEAR BOX)

LOPUTA (GOLA GREĐ)
BUTTERFLY VALVE (BARE SHAFT)



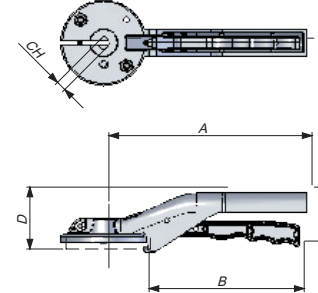
Material ročnega, polžastega pogona za lopute DN 40 do DN 350 je ALUMINIJ. Od DN 400 do DN 800 pa JEKLENA LITINA.

Gear box material is ALUMINIUM for DN 40 to DN 350. Material for DN 400 to DN 800 is CAST IRON.

Za lopute DN 40 do DN 300 je možna izvedba z ročico, od DN 300 do DN 800 pa izvedba z ročnim, polžastim pogonom.

Handlever is available for butterfly valve DN 40 to DN 300. Gear box is available for valve DN 300 to DN 800.

ROČICA HANDLEVER



DN	PRIROBNICA FLANGE	ŠT. LUKENJ Nr. OF HOLES
40-150	F07	4
200-300	F10	4
350-400	F12	4
450	F14	4
500-600	F16	4
700-800	F25	8

Vgradna širina Face to face:
-K1 DIN 3202, EN 558-1

Test
 - EN 10204-2.2 / 3.1B
 - UNICIG 9254
 - DIN -DVGW / G

DN	A	B	C	D
40-100	220	168	58	67
125-150	275	220	58	67
200	340	270	58	76
250-300	340	270	58	76

Zaporne lopute / Butterfly Valves

PRIGRAJENI POGONI
VALVES WITH ACTUATORS

TEKOČINE, PLINI, GRANULATI
LIQUIDS, GASES, POWDERS

DN⇒		40	50	65	80	100	125	150	200	250	300	350	400	450	500	600	700	800
DA-	PN 10	AT101U D	AT101U D	AT101U D	AT201U D	AT251U D	AT251U D	AT351U D	AT401U D	AT451U D	AT501U D	AT601U D	AT601U D	AT651U D	AT801U D	/	/	/
	PN 16	AT101U D	AT101U D	AT101U D	AT251U D	AT251U D	AT301U D	AT351U D	AT401U D	AT451U D	AT551U D	AT651U D	AT651U D	AT701U D	/	/	/	/
SA-	PN 10	AT201U S10	AT201U S10	AT201U S10	AT301U S10	AT351U S10	AT351U S10	AT401U S10	AT501U S10	AT601U S10	AT651U S10	AT701U S10	AT701U S10	AT801U S10	/	/	/	/
	PN 16	AT201U S10	AT201U S10	AT201U S10	AT301U S10	AT351U S10	AT401U S10	AT501U S10	AT601U S10	AT651U S10	AT701U S10	AT701U S10	AT801U S10	AT801U S10	/	/	/	/
E-	PN16*	ER*35	ER*35	ER*35	ER*60	ER*60	ER*100	/	/	/	/	/	/	/	/	/	/	/
		VR25	VR25	VR45	VR45	VR75	VS100	VS150	VS300	VT600	VT600	VT1000	/	/	/	/	/	/
		VRX25	VRX25	VRX45	VRX45	VRX75	VSX100	VSX150	VSX300	/	/	/	/	/	/	/	/	/

*ZA OSTALE TLAČNE STOPNJE SE POSVETUJTE Z DOBAVITELJEM / FOR OTHER PRESSURE RANGES CONSULT WITH SUPPLIER



Vrednosti v tabeli veljajo za ventile s tesnili VITON - za tekočine. S tesnili EPDM in NBR za pline in granulate.
Aktuatorji so izbrani za tlak komprimiranega zraka večji od 5 bar.
Values in table are for valves with VITON Seals - for liquids. Valves with EPDM, NBR Seals - for gases and powders.
Actuators are selected for compressed air higher than 5 bar.

PRIGRAJENI POGONI
VALVES WITH ACTUATORS

TEKOČINE
LIQUIDS

DN⇒		40	50	65	80	100	125	150	200	250	300	350	400	450	500	600	700	800
DA-	PN 10	AT101U D	AT101U D	AT101U D	AT201U D	AT251U D	AT251U D	AT301U D	AT351U D	AT401U D	AT451U D	AT501U D	AT601U D	AT601U D	AT801U D	/	/	/
	PN 16	AT101U D	AT101U D	AT101U D	AT201U D	AT251U D	AT301U D	AT301U DA	AT351U D	AT451U D	AT501U D	AT551U D	AT651U D	AT651U D	AT801U D	/	/	/
SA-	PN 10	AT101U S10	AT101U S10	AT201U S10	AT301U S10	AT301U S10	AT351U S10	AT401U S10	AT451U S10	AT501U S10	AT501U S10	AT601U S10	AT651U S10	AT701U S10	/	/	/	/
	PN 16	AT101U S10	AT101U S10	AT201U S10	AT301U S10	AT301U S10	AT351U S10	AT401U S10	AT501U S10	AT551U S10	AT601U S10	AT601U S10	AT701U S10	AT801U S10	/	/	/	/
E-	PN 16*	ER*35	ER*35	ER*35	ER*60	ER*60	ER*100	/	/	/	/	/	/	/	/	/	/	/
		VR25	VR25	VR45	VR45	VR75	VS100	VS150	VS300	VT600	VT600	VT1000	/	/	/	/	/	/
		VRX25	VRX25	VRX45	VRX45	VRX75	VSX100	VSX150	VSX300	/	/	/	/	/	/	/	/	/

*ZA OSTALE TLAČNE STOPNJE SE POSVETUJTE Z DOBAVITELJEM / FOR OTHER PRESSURE RANGES CONSULT WITH SUPPLIER



Vrednosti v tabeli veljajo za ventile s tesnili EPDM in NBR - za tekočine.
Aktuatorji so izbrani za tlak komprimiranega zraka večji od 5 bar.
Values in table for valves with EPDM and NBR Seals - for liquids.
Actuators are selected for compressed air higher than 5 bar.

DA- DVOSTRANSKO DELUJOČI
PNEVMATSKI POGON /
DOUBLE ACTING PNEUMATIC ACTUATOR

SA- ENOSTRANSKO DELUJOČI
PNEVMATSKI POGON /
SINGLE ACTING PNEUMATIC ACTUATOR

E- ELEKTRO POGON /
ELECTRICAL ACTUATOR

PRIMER NAROČANJA:

HOW TO ORDER:

BVKI-DN - [] - [] - [] - [] - [] - [] - []

Tip ventila / Valve Type:

Velikost / Size:
- DN (nazivni premer - iz tabele)
(nominal diameter from table)

Material ohišja / Body Material:

- **GS** (nodularna litina GGG40 / ductile iron GGG40 Barvano z RAL 5009* / Epoxy RAL 5009*)
- **WC** (A216-WCB, Barvano z RAL 9005*/Epoxy RAL 9005*)
- **AA** (nerjavno jeklo AISI316 / Stainless steel AISI316)
- **BA** (Alu-Bron / Alu-Bronze)
- **AL** (aluminij / aluminium)

*Po naročilu prevlečen z RISLAN®

*Coating on request RISLAN®

Material diska / Disc Material:

- **WA** (Cinkano jeklo / Zinc plated steel A105*)
- **AA** (Nerjavno jeklo AISI316 / Stainless steel AISI316) (po naročilu prevlečen z HALAR® / Coating on request HALAR®)
- **BA** (Alu-Bron / Alu-bronze)
- **GS** (Cinkana nodularna litina GGG40/Zinc plated ductile iron GGG40*)

*Po naročilu prevlečen z RISLAN®

*Coating on request RISLAN®

Material vretena / Shaft material:

- **AI** (AISI 430, standard)
- **AA** (AISI 316, po naročilu / on request)

MOŽNOST DOBAVE SPECIALNIH TESNIL.

(POSVET Z DOBAVITELJEM)
SPECIAL SEAT AVAILABLE .
(CONTACT WITH SUPPLIER)



Odpiranje-Zapiranje / On-Off:

- **pnevmatski pogon** / pneumatic actuator (oznaka iz zgornje tabele / code from upper table)
- **električni pogon** / electric actuator (oznaka iz zgornje tabele / code from upper table)
- **SHL** (standard ročica / standard handlever)
- **HL** (nastavljiva ročica / Adjusting handlever)
- **GB** (ročni, polžni pogon / gear box)
- **XX** (gola gred / bare shaft)

za montažo komponent kontaktirajte dobavitelja
for assembly mounting contact supplier

Tlačna stopnja vgradnje / Pressure range:

- **PN 6**
- **PN 10**
- **PN 16**
- **ANSI 150**
- **PN 20** (tip BVKA - po naročilu)
(type BVKA - special order)
- **PN 25** (tip BVKX - po naročilu)
(type BVKX - special order)

Tesnilo / Seal:

- **NBR** (-25°C do 100°C) - olje, plini, voda / Oil, Gas, Water
- **EPDM** (-35°C / +130°C) } morska voda, para, razredčene kisline,
- **EPDM HT** (-30°C / +145°C) } abrazivni mediji / sea water, steam, Diluted acids, abrazive media
- **VITON** (-20°C / +200°C) - olje, kisline, ogljikovodiki / Oil, Acids, Hydrocarbons
- **NEOPREN** (-20°C / +100°C) - Alkali, Baze, Voda / Alkalis, Chemical base, Water
- **NA** - guma / rubber (-40°C / +80°C) - glikoli, abrazivni mediji / abrasive media, glycol
- **SI** - silikon / silicon (-60°C / +190°C) - voda, hrana, pijača / water, food, drinks