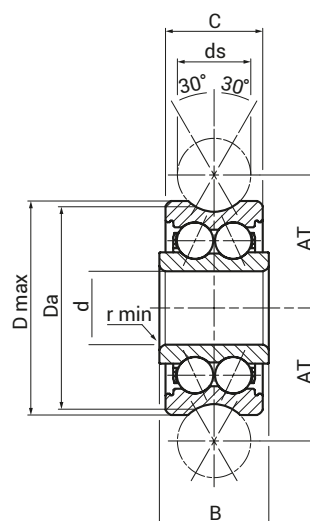


TEKALNA KOLESA LRG / GUIDE WHEELS LRG



Tip Type	Tip Type	Dimenzije Dimensions [mm]											
		d	D max	B	AT	C	Da	Ds	r min	Crw	Corw	Fr	Fro
100Cr6 (standard)	INOX 1.4125												
LRG 5-16-4 2RZ	SLRG 5-16-4 2RS	5	16	8	9	7	14,54	4	0.2	1'600	880	1'750	1'750
LRG 5-17-6 2RZ	SLRG 5-17-6 2RS	5	17	8	10,5	7	15,8	6	0.2	1'700	940	2'300	1'850
LRG 8-24-6 2RZ	SLRG 8-24-6 2RS	8	24	11	14	11	22,8	6	0.3	4'300	2'350	2'750	4'800
LRG 12-35-10 2RZ	SLRG 12-35-10 2RS	12	35	15,9	20,65	15,9	32,64	10	0.6	8'550	5'200	4'900	10'200
LRG 12-35-12 2RZ	SLRG 12-35-12 2RS	12	35	15,9	21,75	15,9	33,11	12	0.6	8'600	5'200	5'300	10'300
LRG 12-42-10 2RZ	SLRG 12-42-10 2RS	12	42	19	24	19	38,95	10	0.6	13'600	8'000	6'500	15'800
LRG 15-47-10 2RZ	SLRG 15-47-10 2RS	15	47	19	26,65	19	44,64	10	1	15'500	9'300	12'000	18'500
LRG 20-52-16 2RZ	SLRG 20-52-16 2RS	20	52	22,6	31,5	20,6	49,14	16	1	16'200	9'870	11'000	17'600
LRG 25-72-20 2RZ	SLRG 25-72-20 2RS	25	72	25,8	41	23,8	64,68	20	1	24'100	16'700	21'200	38'600
LRG 25-72-25 2RZ	SLRG 25-72-25 2RS	25	72	25,8	43,5	23,8	65,35	25	1	23'200	16'400	19'300	35'000

- nizek hrup, majhne vibracije, dolga življenjska doba / low noise, low vibration, highest lifetime
- optimirana tesnila (brez iztekanja masti, nizko trenje, zaščita proti prahu) / optimized sealing (no grease leakage, low friction, dust protection)
- nizka hrupnost / low acoustic noise
- visoka hitrost, visoka natančnost / high speed, high precision
- uporabno v veliko različnih aplikacijah (tekalna kolesa iz 100Cr6 (standard) ali iz nerjavnega jekla 1.4125) / used in many applications (rings in 100Cr6 (standard) or stainless steel 1.4125)
- delovna temperatura / operating temperature: -35 °C do/to 120 °C
- tesnjenje / sealing: labirintno tesnjenje NBR/Z zaščita / labyrinth seal NBR/Z shield
- maksimalna hitrost / max. speed: 10 m/s