

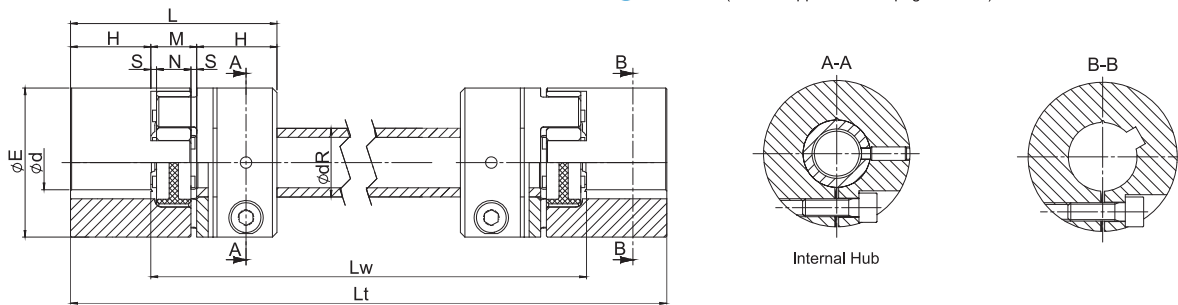
Size	Recommended coupling bore diam. and Transmissible Torque (Nm) - valid for shaft tolerances k6 without Keyway																								
	Ø4	Ø5	Ø6	Ø7	Ø8	Ø9	Ø10	Ø11	Ø12	Ø14	Ø15	Ø16	Ø19	Ø20	Ø22	Ø24	Ø25	Ø28	Ø30	Ø32	Ø35	Ø38	Ø40	Ø42	Ø45
7	0,7	0,8	1	1,1																					
9	1,1	1,4	1,7	1,9	2,2	2,5	2,8																		
14			2,5	2,9	3,3	3,7	4,1	4,6	5	5,8	6,2	6,6													
19/24							23	25	27	32	34	36	43	45											
24/28							23	25	27	32	34	36	43	45	50	54	57	63							
28/38										58	62	66	79	83	91	100	104	116	124	133	145				
38/45													79	83	91	100	104	116	124	133	145	158	166	174	187

Ms	Screw tightening torque	Nm
W	Weight	Kg
J	Coupling moment of inertia	kgm ²
n_{max}	Maximum rpm	min ⁻¹
T_{KN}	Coupling nominal torque	Nm
T_{kmax}	Coupling maximum torque	Nm

The operating temperature range for the coupling is between -30 and +90°C

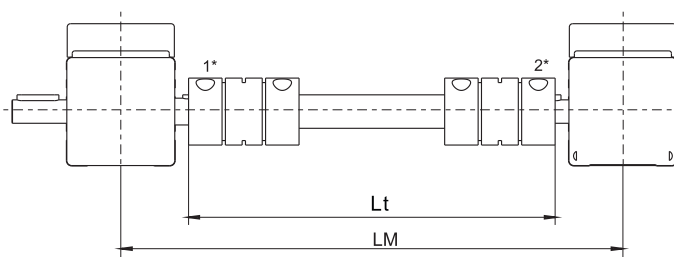
SYNCHRONISATION SHAFT OSL

i The maximum transmissible torque of the clamping hub depends on the bore diameter (see the upper table on page 8.025.0).

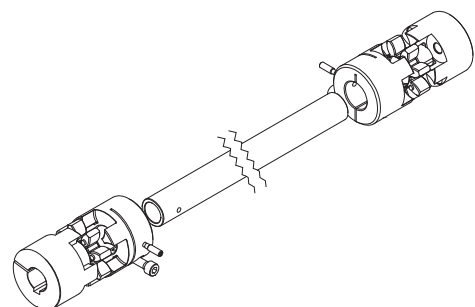


Size	Internal hub		C _T (Nm/rad)	E (mm)	H (mm)	Ød min (mm)	Ød max (mm)	M (mm)	N (mm)	S (mm)	L (mm)	Lw min (mm)	Lt (mm)	dR x thickness (mm)	Weight (kg)	Moment of inertia (10 ⁻⁶ kg * m ²)
	Ms (Nm)	M _T (Nm)														
14	1,34	6	59	30	11	4	16	13	10	1,5	35	48	on request	14 x 2,0	0,072 + 0,00021 * Lw	10,4 + 0,0076 * Lw
19/24	10	34	314	40	25	6	20	16	12	2	66	82		20 x 3,0	0,284 + 0,00044 * Lw	72,4 + 0,0324 * Lw
24/28	10	45	596	55	30	8	28	18	14	2	78	96		25 x 2,5	0,624 + 0,00048 * Lw	300 + 0,0614 * Lw
28/38	25	105	2868	65	35	10	38	20	15	2,5	90	110		35 x 5,0	0,960 + 0,00128 * Lw	656 + 0,2954 * Lw
38/45	25	123	4521	80	45	12	45	24	18	3	114	138		40 x 5,0	1,760 + 0,00149 * Lw	1862 + 0,4656 * Lw

Ms	Screw tightening torque	Nm
M_T	Maximum transmissible torque	Nm
C_T	Torsional rigidity per meter	Nm/rad

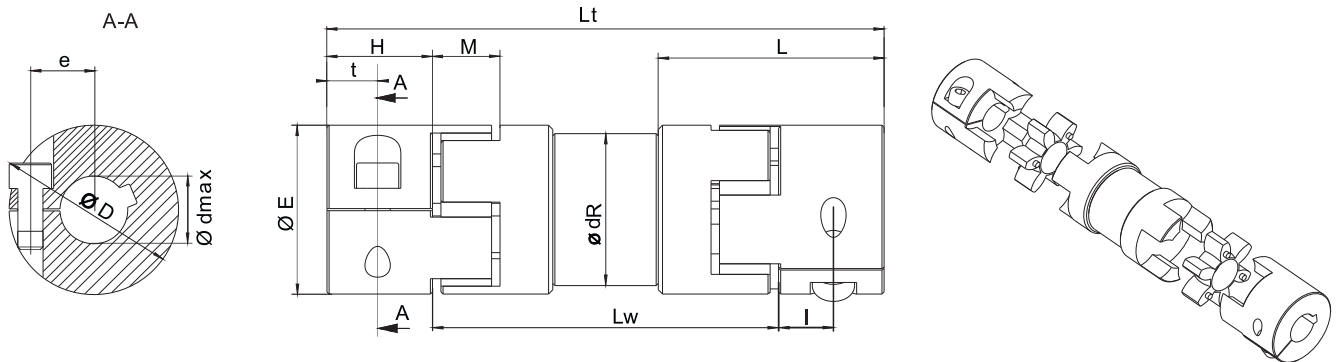


* - see page 8.030.0 for more info



i For longer distances Bearing Supports needed. Please contact us.

SYNCHRONISATION SHAFT OSR



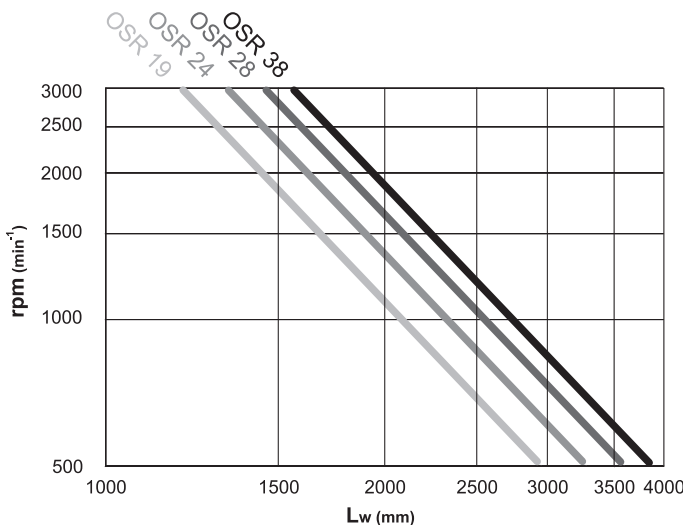
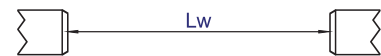
i The maximum transmittable torque of the clamping hub depends on the bore diameter (see the upper table on page 8.025.0).

Size	d min (mm)	d max (mm)	Ms (Nm)	Mt (Nm)	Ct (Nm/rad)	E (mm)	H (mm)	I (mm)	L (mm)	M (mm)	Lw min (mm)	Lt (mm)	D (mm)	t (mm)	e (mm)	dR (mm)	Weight (kg)	Moment of inertia (10 ⁻⁶ kg * m ²)
19	10	20	10	39	1630	40	25	13	53,5	16	82	on request	47	12	15	36	0,30 + 0,00058 * Lw	66,0 + 0,1679 * Lw
24	10	28	10	53	3980	55	30	16	63	18	96		57	14	20,8	45	0,62 + 0,00091 * Lw	242 + 0,4099 * Lw
28	14	35	25	137	7494	65	35	20	67	20	110		73	15	25	55	0,98 + 0,00112 * Lw	572 + 0,7717 * Lw
38	15	45	25	180	14540	80	45	25	83,5	24	138		84	20	30	68	1,75 + 0,00140 * Lw	1522 + 1,4975 * Lw

Ms Screw tightening torque Nm
Mt Maximum transmissible torque Nm
Ct Torsional rigidity per meter Nm/rad

INSTALLATION

The overall length Lt is best determined as the distance between shaft ends - length Lw plus 2x dimension H.



SELECTION DIAGRAM

Ideal execution for long distance shaft connections. Torque transmission is zero backlash. Designed for lengths up to 4m without bearing support (depending on rotation speed).

Standard lengths available till 3m, for longer lengths please contact us.

HOW TO ORDER

OSR - 19 - MTJ65 - LM - 890 - F16C - F16C

Type: OSR

Size: OSL: 14, 19/24, 24/28, 28/38, 38/45
OSR: 19, 24, 28, 38

Linear unit series: MTJ/MRJ/MTJ ECO: 40, 65, 80, 110
CTJ: 90, 110, 145, 200

Leave blank : not for linear unit

Length type: LM (Middle distance of the linear units)
Lt (Production length of the sync. shaft)

Option: C: with keyway
Leave blank: w/o keyway

Hole diameter: — one side end hub¹
--- other side end hub²

Length [mm]